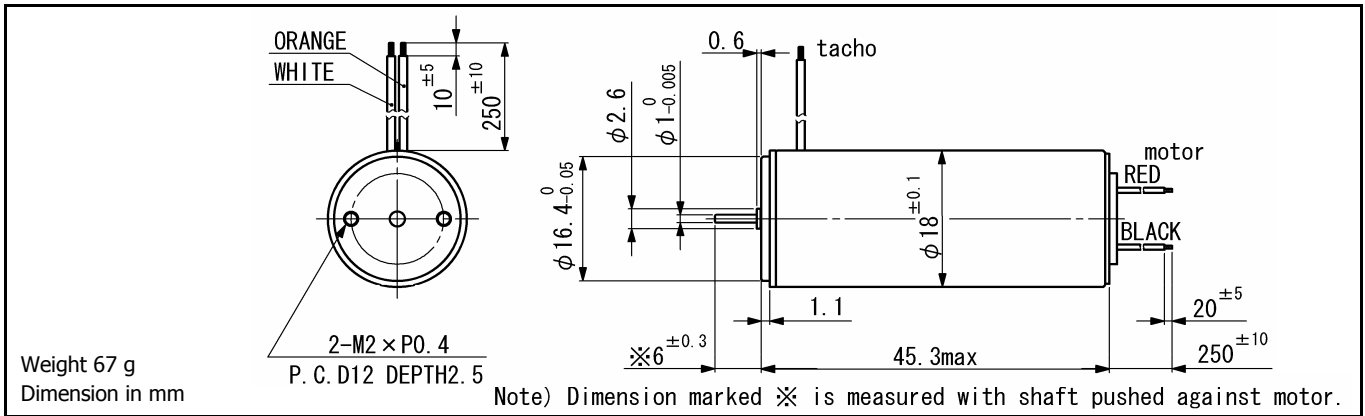


SCL18-44

Precious metal commutation



For combination with gearhead: SSG18

Ordering number				SCL18-4405T
Nominal voltage				8 V
Terminal resistance				5.1 Ω
Output power				3.1 W
No-load speed				9450 rpm
No-load current				13 mA
Stall torque				12.5 mNm
Friction torque				0.1 mNm
Back-EMF constant				0.84 mV/rpm
Torque constant				8.01 mNm/A
Motor coil inductance				0.083 mH
Rotor inertia				1.73 gcm ²

Continuous operation

Max. recommended speed				7600 rpm
Max. recommended torque				3.9 mNm

Tachogenerator

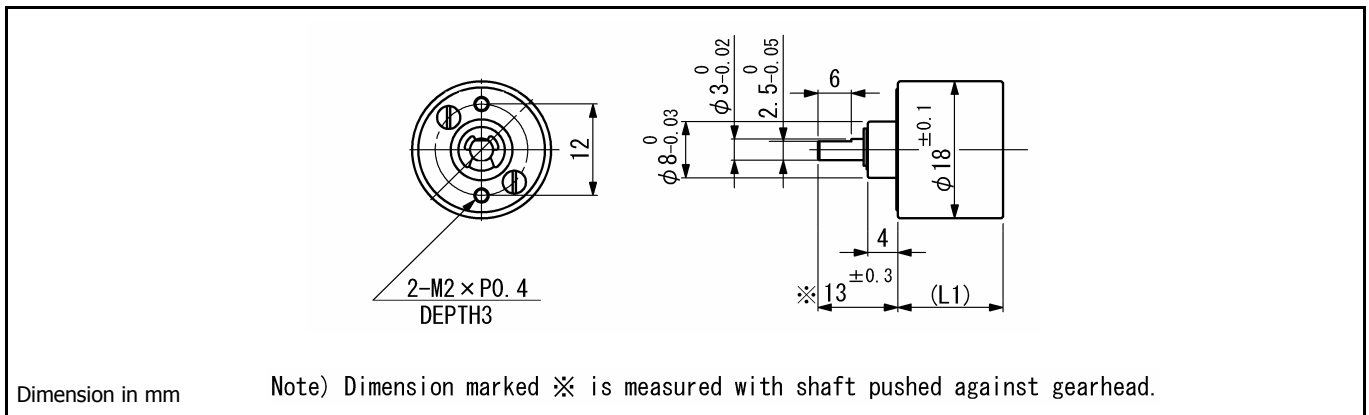
EMF constant		0.7		mV/rpm
Recommended min. load resistance		10		kΩ
Terminal resistance		48.8		Ω
Max. ripple peak to peak		5		%

General specifications

Operating temperature		-20...60		°C
Max. coil temperature		80		°C
Shaft bearing		Sleeve bearings		
Max. shaft radial load		1.2 (5 mm)		N
Max. shaft axial load		0.2		N
Max. axial load at standstill		9.8		N
Shaft radial play		0.05		mm
Shaft axial play		0.03...0.2		mm

SSG18

Spur gearhead



For combination with motors: SCL18-25, SCL18-33

For combination with motor-tachogenerator: SCL18-44

General specifications	SSG18	
Housing material	Metal	
Geartrain material	Metal	
Recommended max. input speed	4000	rpm
Operating temperature range	-10...+60	°C
Max. backlash at no-load, 4 stages	≤ 4	°
Bearings on output shaft	Sintered sleeve bearings	
Max. shaft radial load (10 mm from flange)	4	N
Max. shaft axial load	2	N
Max. shaft press fit force	30	N
Shaft radial play	≤ 0.03	mm
Shaft axial play	≤ 0.2	mm

Ratio (nominal)	Stage	Gearhead length, L1 [mm]	Gearhead weight [g]	Max. allowable torque [mNm]		Length with motor [mm]				Efficiency [%]	Direction of rotation	
				Continuous	Intermittent	SCL18-25	SCL18-33	SCL18-44				
15 : 1	3	12.5	16.4	40	80	38	47.5	56.7			73	≠
27 : 1	3	12.5	16.4	40	80	38	47.5	56.7			73	≠
47 : 1	4	14.9	19.2	40	80	40.4	49.9	59.1			66	=
75 : 1	4	14.9	19.2	40	80	40.4	49.9	59.1			66	=
95 : 1	4	14.9	19.2	40	80	40.4	49.9	59.1			66	=